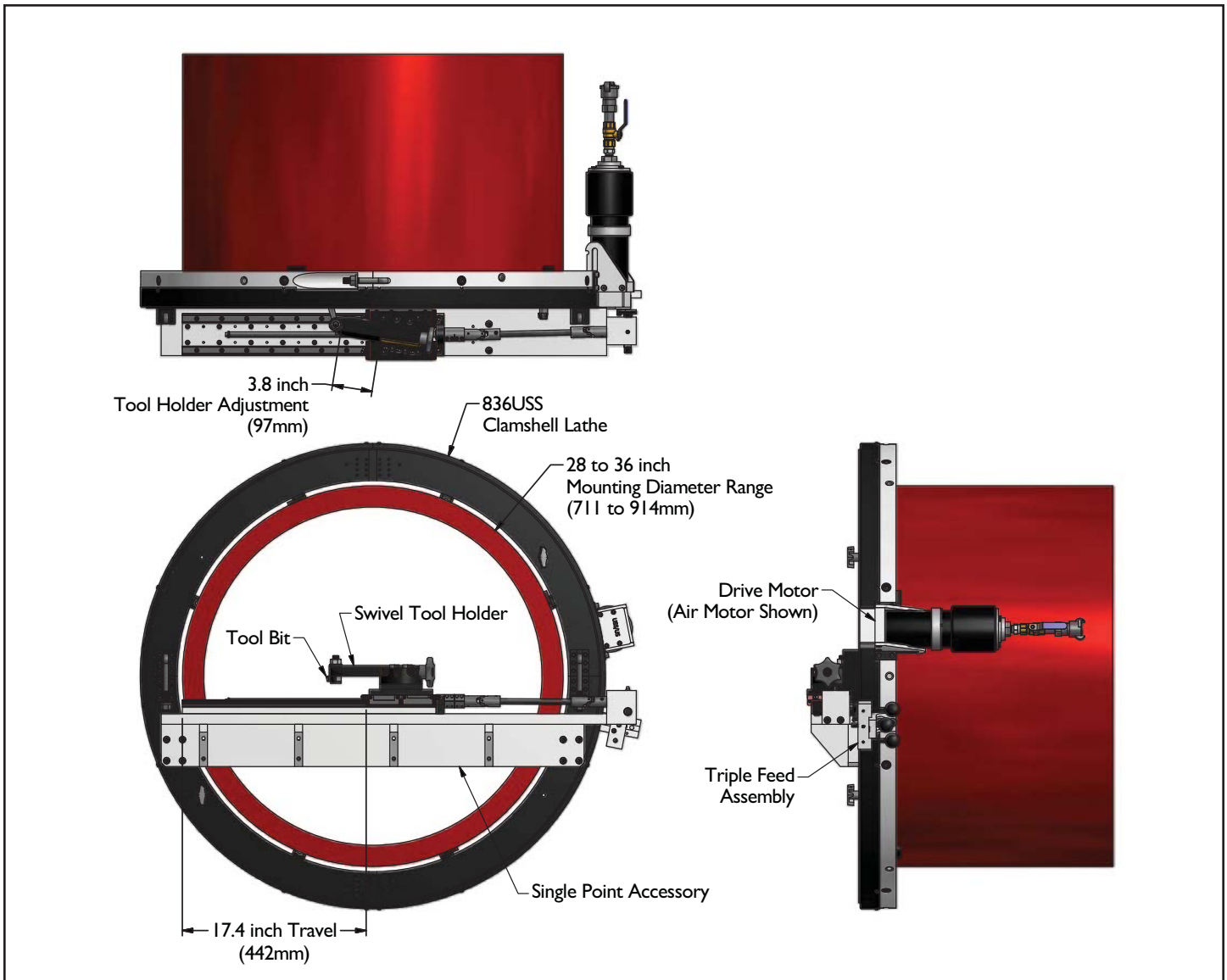


# 836USS CLAMSHELL LATHE WITH SINGLE POINT ACCESSORY

MACTECH PORTABLE MACHINING SOLUTIONS

## 836USS Clamshell Lathe Single Point Machining



### Features

- Easy setup.
- Ideal for heavy wall end prep.
- Auto-feed mechanism.
- Uses standard 1/2 inch tooling.
- Facing, beveling, compound angle beveling, ring groove and counterboring capabilities.

**MACTECH**  
ON-SITE MACHINING SOLUTIONS

Mactech, Inc. • 4079 Pepin Ave. • Red Wing, MN 55066  
PH: 651-388-7117 • TOLL FREE: 800-328-1488 • FAX: 651-388-0337 • [www.mactechonsite.com](http://www.mactechonsite.com)

# 836USS CLAMSHELL LATHE WITH SINGLE POINT ACCESSORY

MACTECH PORTABLE MACHINING SOLUTIONS

## Specifications

### Weights:

836USS Clamshell Lathe with Single Point Accessory and Hydraulic Motor: 348 lbs. (158 kg)

836USS Clamshell Lathe with Single Point Accessory and Air Motor: 351 lbs. (159 kg)

### Single Point Feed Rate:

1 tripper pin engaged: .004 inches (0.10mm)

2 tripper pins engaged: .008 inches (0.20mm)

3 tripper pins engaged: .012 inches (0.30mm)

**Speed:** Variable, set by flow rate

### Motor Specifications:

<b>Hydraulic Motor Performance Specifications</b>			
<b>Displacement</b>	<b>Torque @ 2-6 gpm (8-23 lpm)</b>	<b>Torque @ 6-10 gpm (23-38 lpm)</b>	<b>Torque @ 10-15 gpm (38-57 lpm)</b>
	<b>RPM</b>	<b>RPM</b>	<b>RPM</b>
9.7 in <sup>3</sup> /rev	102-101 ft-lbs (138-137 Nm)	101-99 ft-lbs (137-134 Nm)	99-98 ft-lbs (134-132 Nm)
	44-138 rpm	138-232 rpm	232-348 rpm

*\*Performance is based on 1000 psi (69 bar) continuous pressure*

<b>Air Motor Performance Specifications</b>			
<b>Max Output</b>	<b>Torque at Max Output</b>	<b>Speed at Max Output</b>	<b>Air Consumption at Max Output</b>
3.5 hp (2.6 kw)	381 ft-lbs (517 Nm)	97 rpm	95 scfm (2.7 m <sup>3</sup> /m)

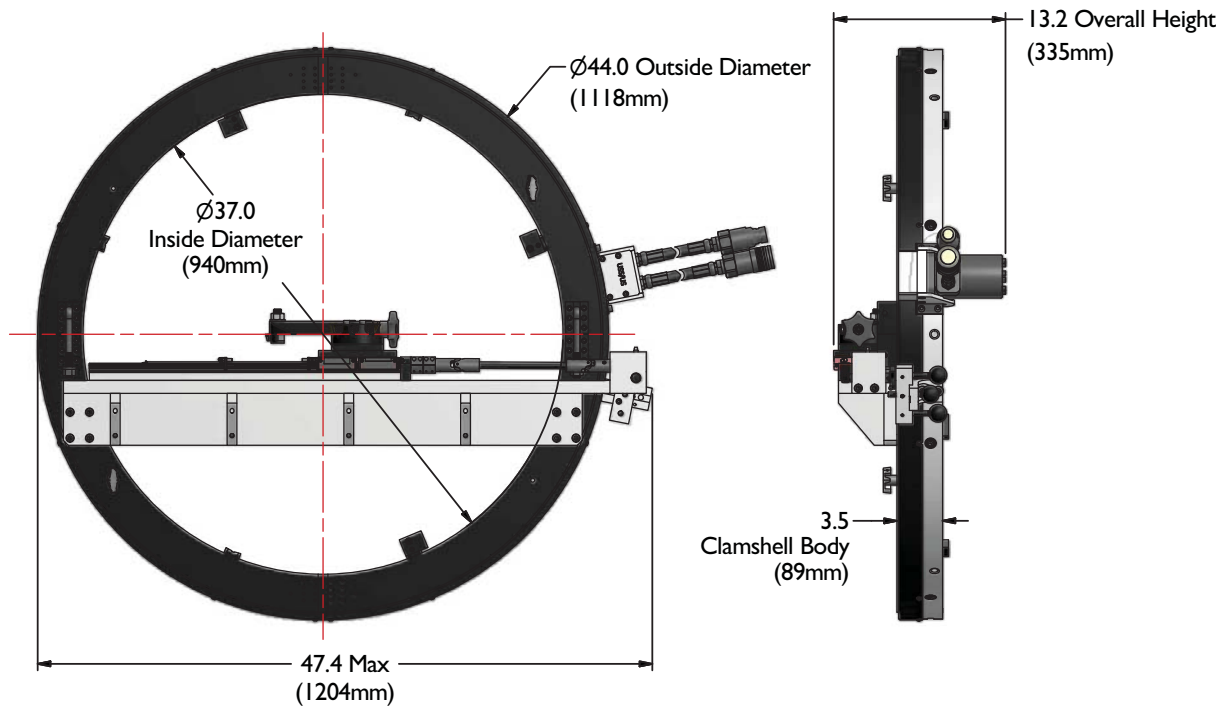
*\*Performance is based on air supply of 91 psi (6.2 bar) continuous pressure*



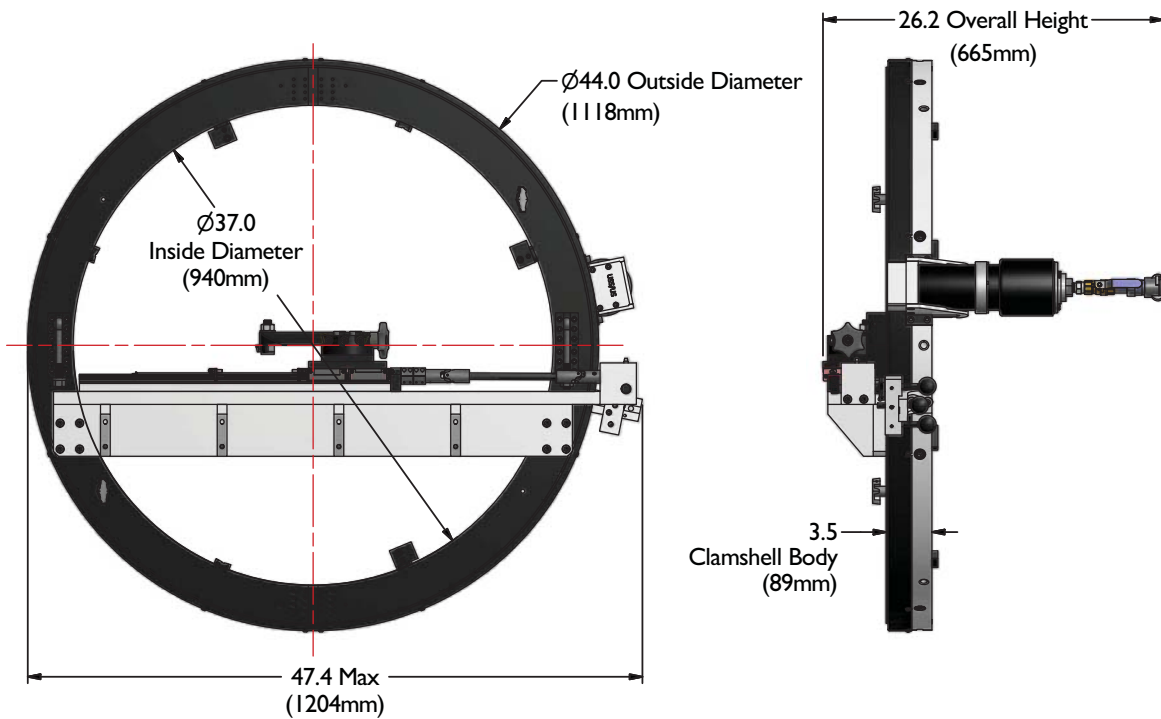
# 836USS CLAMSHELL LATHE WITH SINGLE POINT ACCESSORY

MACTECH PORTABLE MACHINING SOLUTIONS

## Dimensions



836USS Clamshell Lathe with Single Point Accessory and Hydraulic Motor



836USS Clamshell Lathe with Single Point Accessory and Air Motor

