

MT30 PORTABLE RACK DRILL

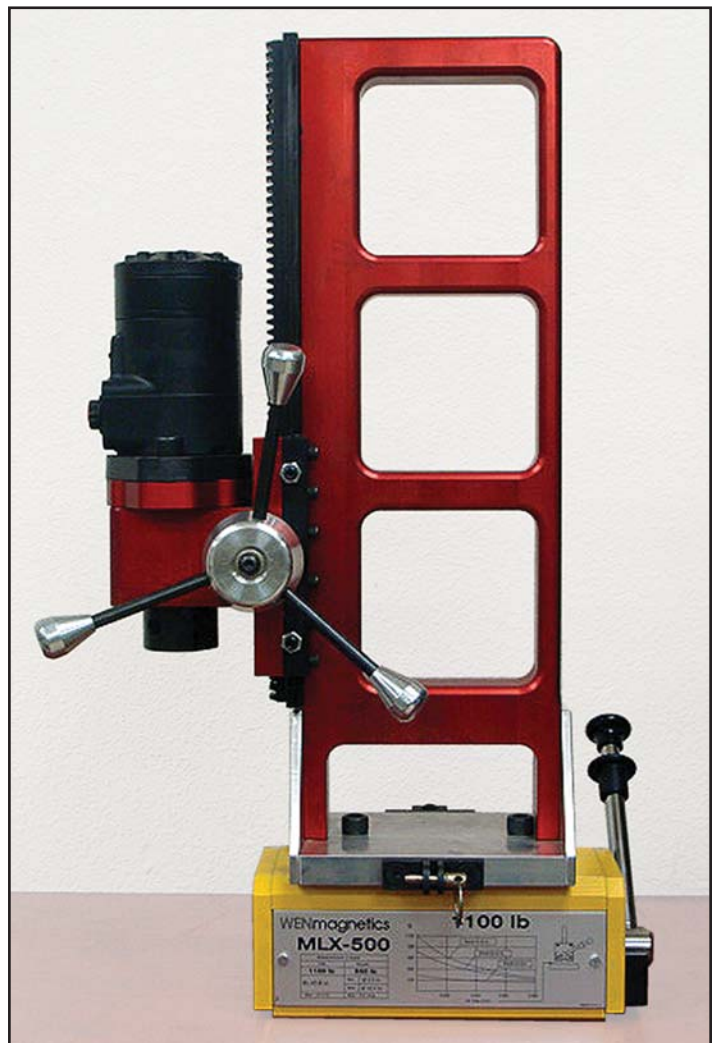
MACTECH PORTABLE MACHINING SOLUTIONS

Versatile and Powerful Portable Drilling

Mactech's **MT30 Portable Rack Drill** is a versatile and easy to use drill for on-site drilling applications. The MT30 Rack Drill is ideally suited for applications where quick set-up and powerful drilling is required. An optional hanger bracket allows the drill to be positioned at a pre-determined distance from the top of pipe or other structure. The MT30 Portable Rack Drill can be easily attached to almost any ferrous surface for standard drilling operations, or can be custom configured for your application.



**MT30 Portable Rack Drill
with Hanger Bracket**



MT30 Portable Rack Drill

Features

- Powerful air or hydraulic motor drills quickly through most materials.
- Magnetic Attachment Base mounts securely to flat, round or tapered surfaces.
- Optional Hanger Bracket for quick and easy placement and drilling on pipe or structure.

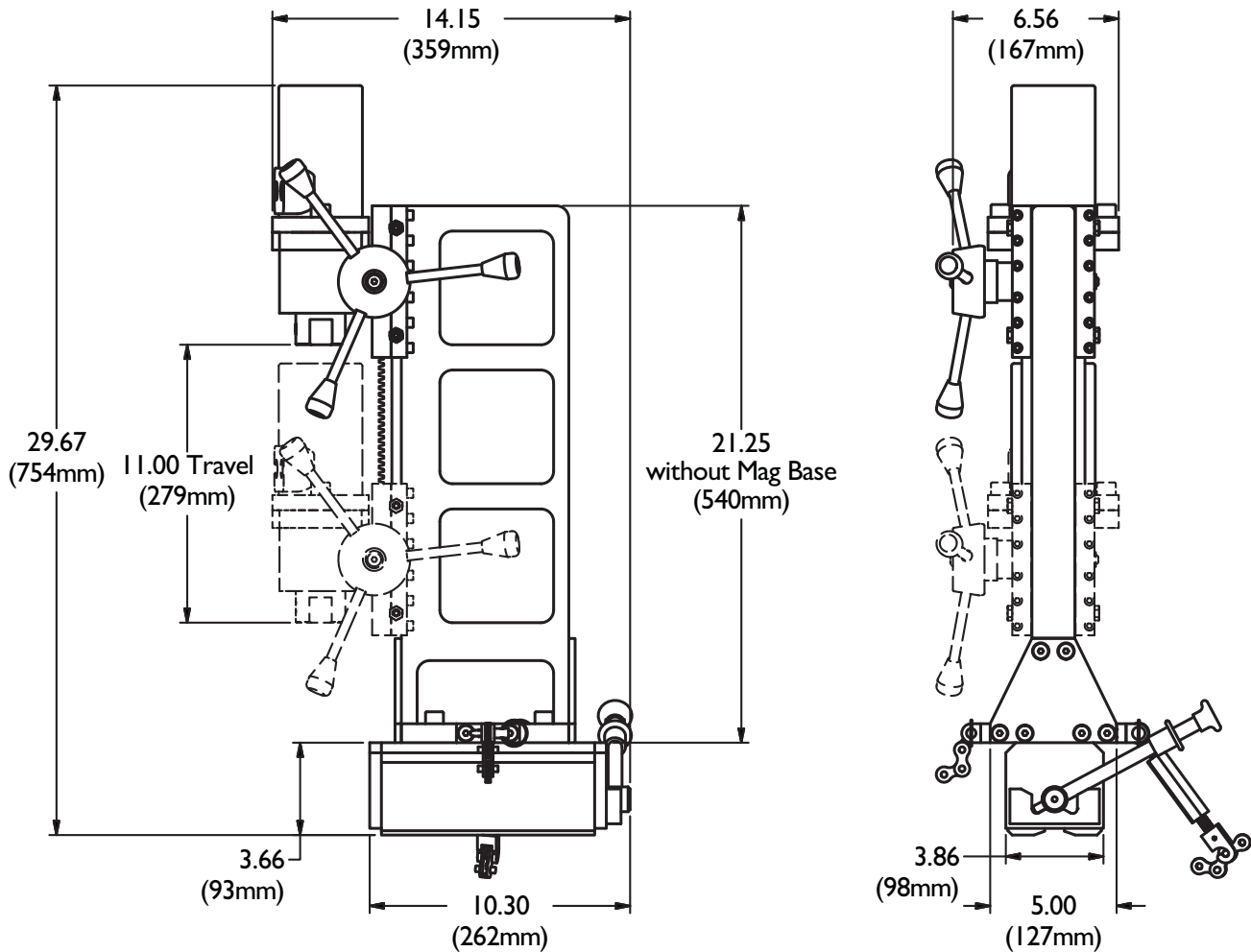
MACTECH
ON-SITE MACHINING SOLUTIONS

Mactech, Inc. • 4079 Pepin Ave. • Red Wing, MN 55066
PH: 651-388-7117 • TOLL FREE: 800-328-1488 • FAX: 651-388-0337 • www.mactechonsite.com

MT30 PORTABLE RACK DRILL

MACTECH PORTABLE MACHINING SOLUTIONS

MT30 Rack Drill with Hydraulic Motor and Magnetic Base



Hydraulic Motor Performance Specifications

Displacement	Torque@2-6 gpm	Torque@6-10 gpm	Torque@10-15 gpm
	RPM	RPM	RPM
9.7 in ³ /rev	101-102 ft-lbs	99-101 ft-lbs	98-99 ft-lbs
	44-138	138-232	232-348

Note: Performance is based on hydraulic power supply of 1000 psi continuous pressure

MACTECH

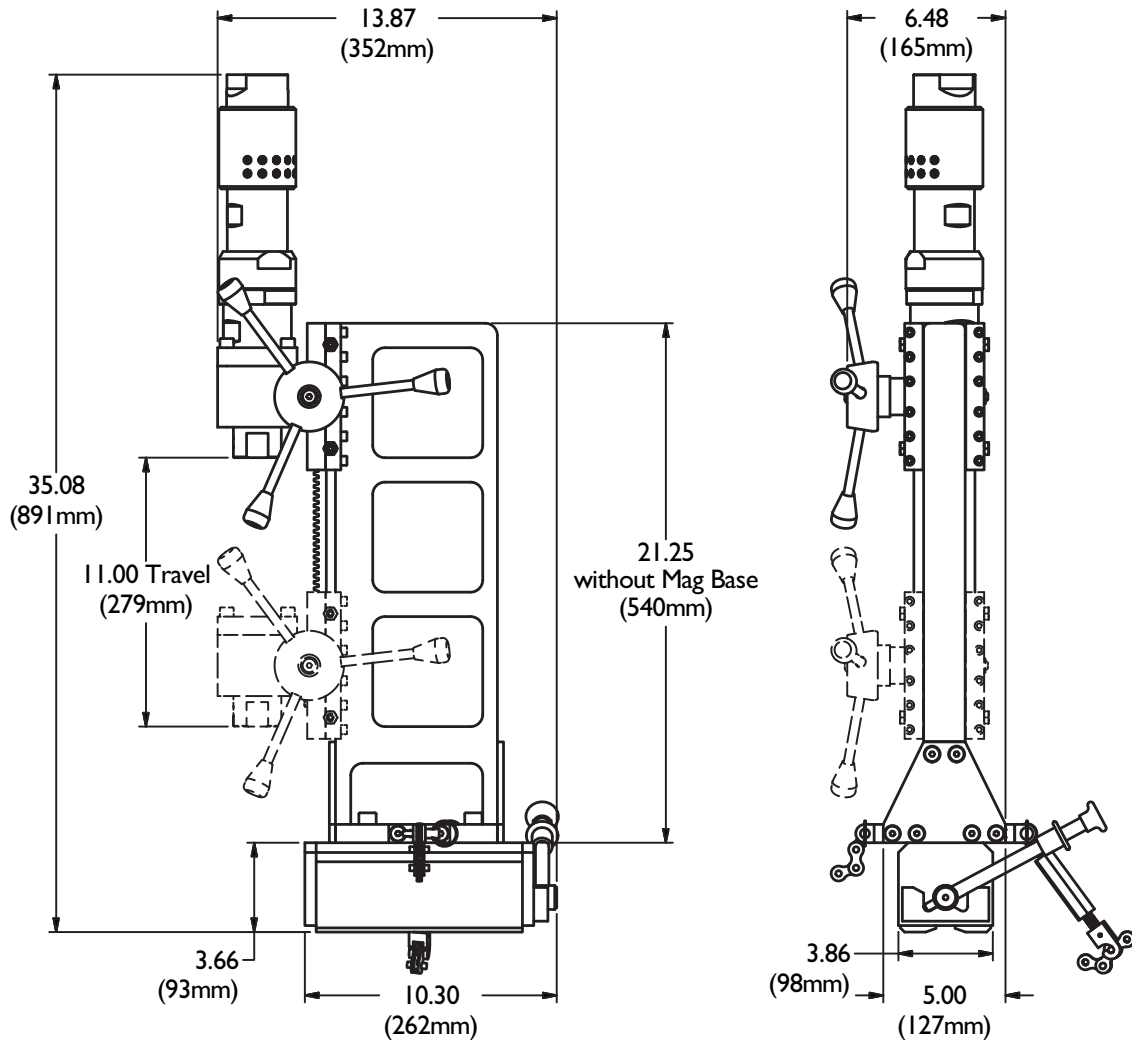
ON-SITE MACHINING SOLUTIONS

Mactech, Inc. • 4079 Pepin Ave. • Red Wing, MN 55066
 PH: 651-388-7117 • TOLL FREE: 800-328-1488 • FAX: 651-388-0337 • www.mactechonsite.com

MT30 PORTABLE RACK DRILL

MACTECH PORTABLE MACHINING SOLUTIONS

MT30 Rack Drill with Air Motor and Magnetic Base



Air Motor Performance Specifications

Motor Option	Max Output	Torque at Max Output	Speed at Max Output	Air Consumption at Max Output
A	2.41 hp	100 ft-lbs	128 rpm	76.3 cfm
B	2.41 hp	164 ft-lbs	77 rpm	76.3 cfm

Note: Performance is based on air supply of 91 psi continuous pressure



Mactech, Inc. • 4079 Pepin Ave. • Red Wing, MN 55066
 PH: 651-388-7117 • TOLL FREE: 800-328-1488 • FAX: 651-388-0337 • www.mactechonsite.com

MT30 PORTABLE RACK DRILL

MACTECH PORTABLE MACHINING SOLUTIONS

Specifications

Arbor

- #3 Morse Taper
- 1 inch female straight shank

Drill Capacity

- 1-1/2 inch twist drill
- 3 inch annular

Magnetic Mounting Base

- Max Load - Flat Surface: 1100 lbs (499kg)
- Max Load - Round Surface: 550 lbs (249.4kg)
- Detachment Force: 3575 lbs (1621.6kg)

Weights

- Rack Drill with Hydraulic Motor: 42 lbs (19kg)
- Rack Drill with Air Motor: 45 lbs (20kg)
- Magnetic Base: 35 lbs (15.9kg)
- Hanger Bracket: 17 lbs (8kg)

